

C-1X-2500(C)-FDFB-SLC4



Features

- Duplex LC Single Mode Transceiver
- Small Form Factor Multi-sourced 2x5 Pin Package
- Complies with SONET OC48 / SDH STM-16
- 1310 nm / 1550 nm Wavelength, DFB Laser
- Single +3.3V Power Supply
- LVPECL / CML Differential Inputs and Outputs
- LVTTTL Signal Detection Output (C-1X-2500C-FDFB-SLC4)
- LVPECL Signal Detection Output (C-1X-2500-FDFB-SLC4)
- LVTTTL Tx Disable Input
- Temperature Range: 0 to 70 °C
- Class 1 Laser International Safety Standard IEC 825 Compliant
- Solderability to MIL-STD-883, Method 2003
- Pin Coating is Sn / Pb with minimum 2% Pb content
- Flammability to UL94V0
- Humidity RH 5-85% (5-95% short term) to IEC 68-2-3
- Complies with Bell core GR-468
- Uncooled laser diode with MQW structure

Absolute Maximum Rating

Parameter	Symbol	Min.	Max.	Unit	Note
Power Supply Voltage	V_{cc}	0	3.6	V	
Output Current	I_{out}	0	30	mA	
Soldering Temperature	-	-	260	°C	10 seconds on leads only
Storage Temperature	T_{stg}	-40	85	°C	

Recommended Operating Condition

Parameter	Symbol	Min.	Typ.	Max.	Unit
Power Supply Voltage	V_{cc}	3.1	3.3	3.5	V
Operating Temperature	T_{opr}	0	-	70	°C
Data rate		-	2488	-	Mbps

Transmitter Specifications

Parameter	Symbol	Min	Typical	Max	Unit	Notes
Optical						
Optical Transmit Power	P_o	0	-	+5	dBm	
Output center Wavelength	λ	1260	1310	1360	nm	C-13-2500(C)-FDFB-SLC4
Output center Wavelength	λ	1500	1550	1580	nm	C-15-2500(C)-FDFB-SLC4
Output Spectrum Width	$\Delta\lambda$	-	-	1	nm	-20 dB width
Side Mode Suppression Ratio	S_r	30	35	-	dBm	CW, $P_o=5mW$
Extinction Ratio	ER	8.2	-	-	dB	
Output Eye		Compliant with GR-253-CORE				
Optical Rise Time	t_r	-	-	130	ps	20% to 80% Values
Optical Fall Time	t_f	-	-	130	ps	20% to 80% Values
Relative Intensity Noise	RIN	-	-	-120	dB/Hz	
Total Jitter	TJ	-	-	0.18	ns	Measured with 2^{23} -1 PRBS with 72 ones and 72 zeros

C-1X-2500(C)-FDFB-SLC4

Transmitter Specifications

Parameter	Symbol	Min	Typical	Max	Unit	Notes
Electrical						
Power Supply Current	I _{CC}	-	-	160	mA	Maximum current is specified at V _{CC} = Maximum @ maximum temperature
TX_DISABLE Input Voltage-Low	V _{IL}	0	-	0.8	V	Transmitter on
TX_DISABLE Input Voltage-High	V _{IH}	2	-	V _{CC}	V	Transmitter Disabled
Data Input Voltage-Single Ended	V _{DIN}	250		1200	mV (p-p)	AC coupled inputs

Receiver Specifications

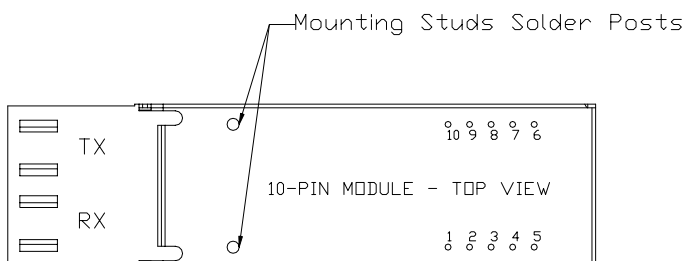
Parameter	Symbol	Min	Typical	Max	Unit	Notes
Optical						
Sensitivity	-	-	-	-20	dBm	Measured with 2 ²³ -1 PRBS, BER = 10 ⁻¹⁰
Maximum Input Power	P _{in}	0	-	-	dBm	
Signal Detect-Asserted	P _a	-	-	-20	dBm	Measured on transition: low to high
Signal Detect-Deasserted	P _d	-38	-	-	dBm	Measured on transition: high to low
Signal Detect-Hysteresis	P _a -P _d	1	-	-	dB	
Wavelength of Operation		1100	-	1600	nm	
Reflectance		-	-	-27	dB	

Receiver Specifications

Parameter	Symbol	Min	Typical	Max	Unit	Note
Electrical						
Power Supply Current	I _{CC}	-	-	100	mA	The current excludes the output load current
Data Output Voltage-Single-ended	V _{OH} - V _{OL}	300	-	900	mV	AC coupled
Signal Detect Output Voltage-Low	V _{SDL} -V _{CC}	-2.0	-	-1.58	V	C-1X-2500-FDFB-SLC4
Signal Detect Output Voltage-High	V _{SDH} - V _{CC}	-1.1	-	-0.74	V	
Signal Detect Output Voltage-Low	V _{SDL} -V _{CC}	-	-	0.5	V	C-1X-2500C-FDFB-SLC4
Signal Detect Output Voltage-High	V _{SDH} - V _{CC}	2.0	-	-	V	

C-1X-2500(C)-FDFB-SLC4

Connection Diagram



PIN	Symbol	Notes
1	RxGND	Directly connect this pin to the receiver ground plane
2	TxVcc	+3.3 V dc power for the receiver section
3	SD	Active high on this indicates a received optical signal(LVPECL/LVTTL)
4	RD-	Receiver Data Out Bar (LVPECL)
5	RD+	Receiver Dat Out (LVPECL)
6	TxVcc	+3.3 V dc power for the transmitter section
7	TxGND	Directly connect this pin to the transmitter ground plane
8	TxDIS	Transmitter disable (LVTTTL)
9	TD+	Transmitter Data In (LVPECL)
10	TD-	Transmitter Data In Bar (LVPECL)
Attaching Posts		The attaching posts are at case potential and may be connected to chassis ground. They are isolated from circuit ground.

Recommended Circuit Schematic

Inputs to the C-1X-2500(C)-FDFB-SLC4 series transmitters are AC coupled and internally terminated through 50 ohms to AC ground. These transceivers can operate with LVPECL or CML logic levels. The input signal must have at least a 200 mV peak to (single ended) signal swing. Output from the receiver section of the module is also AC coupled and is expected to drive into 50 ohm load. Different termination strategies may be required depending on the particular Serializer / Deserializer chip set used.

The C-1X-2500(C)-FDFB-SLC4 series product family are designed with AC coupled data inputs and outputs to provide the following advantages:

- Close positioning of SERDES with respect to transceiver; allows for shorter line lengths and at gigabit speeds reduces EMI.
- Minimum number of external components.
- Internal termination reduces the potential for unterminated stubs which would otherwise increase jitter and reduce transmission margin.

Figure 1 & Figure 2 illustrates the recommended transmit and receive data line terminations for SERDES with CML and LVPECL Inputs / Outputs respectively.

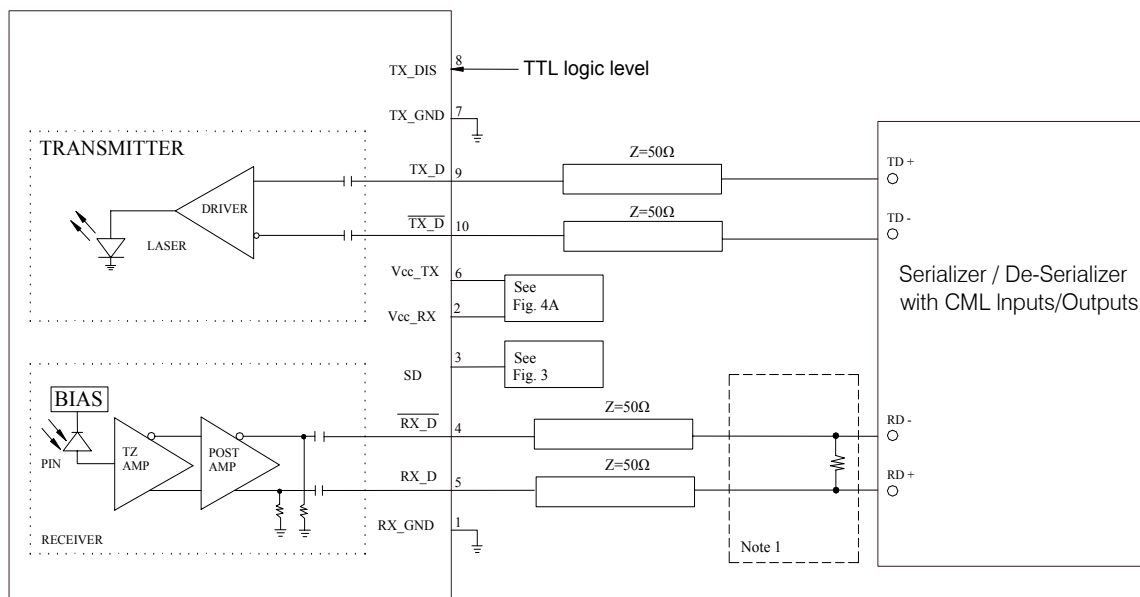


Figure 1. Recommended TRANSMIT and RECEIVE Data Terminations for SERDES with CML I/Os.

Note 1. Consult SERDES manufacturer's data sheet and application data for appropriate receiver input biasing network. Some deserializer inputs are internally terminated and may not need external termination resistors.

C-1X-2500(C)-FDFB-SLC4

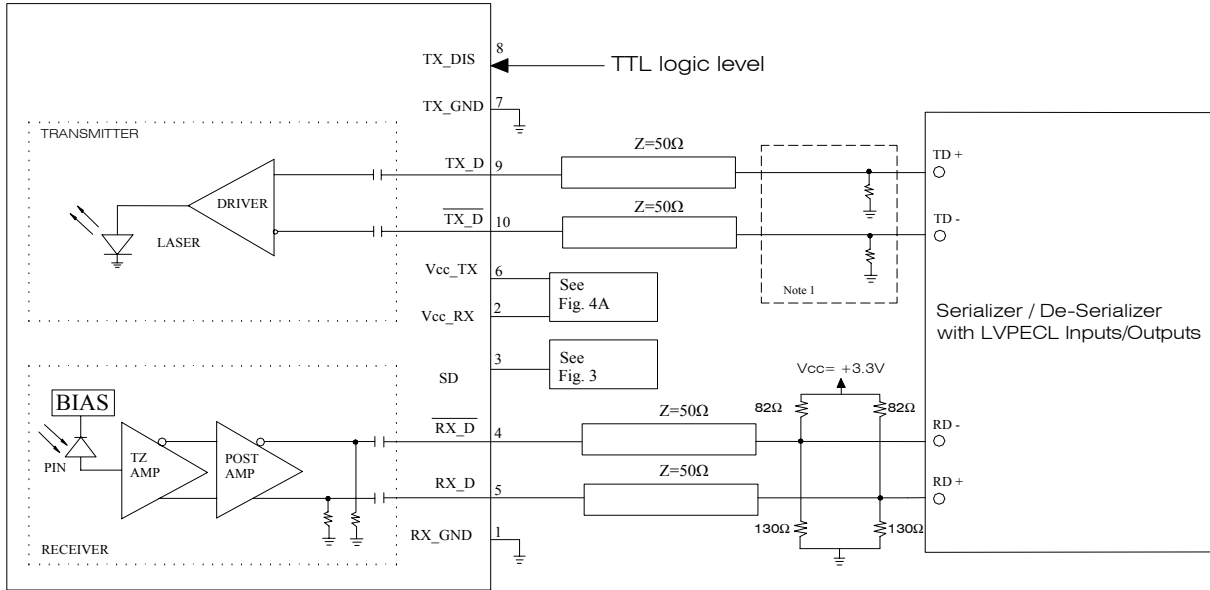


Figure 2. Recommended TRANSMIT and RECEIVE Data Terminations for SERDES with LVPRCL I/Os.

Note 1. Consult SERDES manufacturer's application information for biasing required for Tx outputs. Some serializer outputs are internally biased and may not need external bias resistors.

Signal Detect

The C-1X-2500(C)-FDFB-SLC4 transceivers are equipped with LVTTTL / LVPECL signal detect outputs. The standard LVTTTL output eliminates the need for a LVPECL to LVTTTL level shifter in most in most applications.

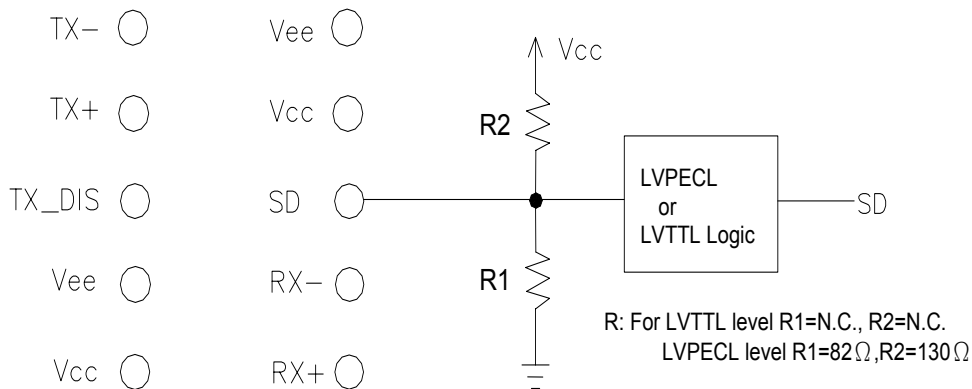
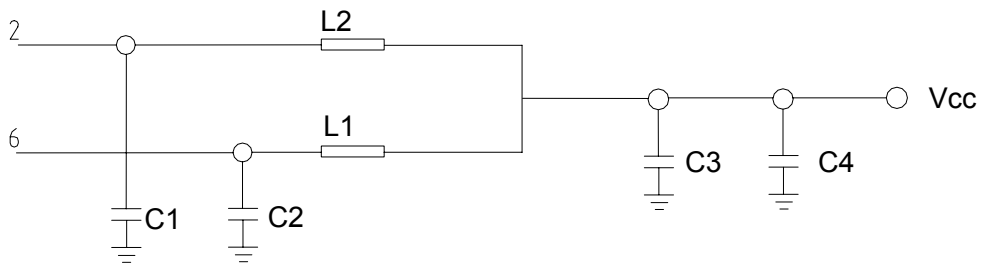


Figure 3: Signal Detect

Power Coupling

A suggested layout for power and ground connections is given in figure 4B below. Connections are made via separate voltage and ground planes. The mounting posts are at case ground and should not be connected to circuit ground. The ferrite bead should provide a real impedance of 50 to 100 ohms at 100 to 1000 MHz. Bypass capacitors should be placed as close to the 10-pin connector as possible.



VALUES:
 C1, C2 = 1000pF,
 C3, = 0.1 uF
 C4, = 10 uF,
 L1, L2 = Real impedance of 50 to
 100 Ohms to 1000 MHz.

Figure 4A: Suggested Power Coupling-Electrical Schematic

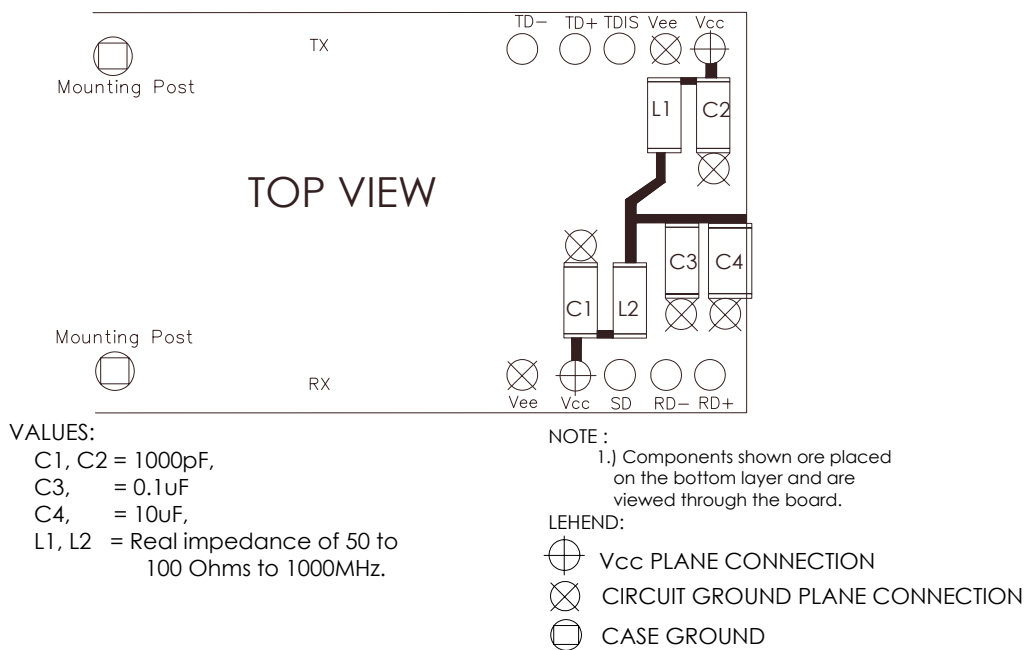


Figure 4B: Suggested Power Coupling-Component Placement

C-1X-2500(C)-FDFB-SLC4

Printed Circuit Board Layout Consideration

A fiber-optic receiver employs a very high gain, wide bandwidth transimpedance amplifier. This amplifier detects and amplifies signals that are only tens of nA in amplitude when the receiver is operating near its limit. Any unwanted signal currents that couple into the receiver circuitry causes a decrease in the receiver's sensitivity and can also degrade the receiver's signal detect (SD) circuit. To minimize the coupling of unwanted noise into the receiver, careful attention must be given to the printed circuit board.

At a minimum, a double-sided printed circuit board (PCB) with a large component side ground plane beneath the transceiver must be used. In applications that include many other high speed devices, a multi-layer PCB is highly recommended. This permits the placement of power and ground on separate layers, which all them to be isolated from the signal lines. Multilayer construction also permits the routing of signal traces away from high level, high speed signal lines. To minimize the possibility of coupling noise into the receiver section, high level, high speed signals such as transmitter inputs and clock lines should be routed as far away as possible from the receiver pins.

Noise that couples into the receiver through the power supply pins can also degrade performance. It is recommended that a pi filter in both the transmitter and receiver power supplies.

EMI and ESC Consideration

LuminentOIC transceivers offer a metalized plastic case and a special chassis grounding clip. As shown in the drawing, this clip connects the module case to chassis ground then installed flush through the panel cutout. The grounding clip in this way brushes the edge of the cutout in order to make a proper contact. The use of a grounding clip also provides increased electrostatic protection and helps reduce radiated emissions from the module or the host circuit board through the chassis faceplate. The attaching posts are at case potential and may be connected to chassis ground. They should not be connected to circuit ground.

Plastic optical subassemblies are used to further reduce the possibility of radiated emissions by eliminating the metal from the transmitter and receiver diode housings, which extend into connector space. By providing a non-metal receptacle for the optical cable ferrule, the gigabit speed RF electrical signal is isolated from the connector area thus preventing radiated energy leakage from these surfaces to the outside of the panel.

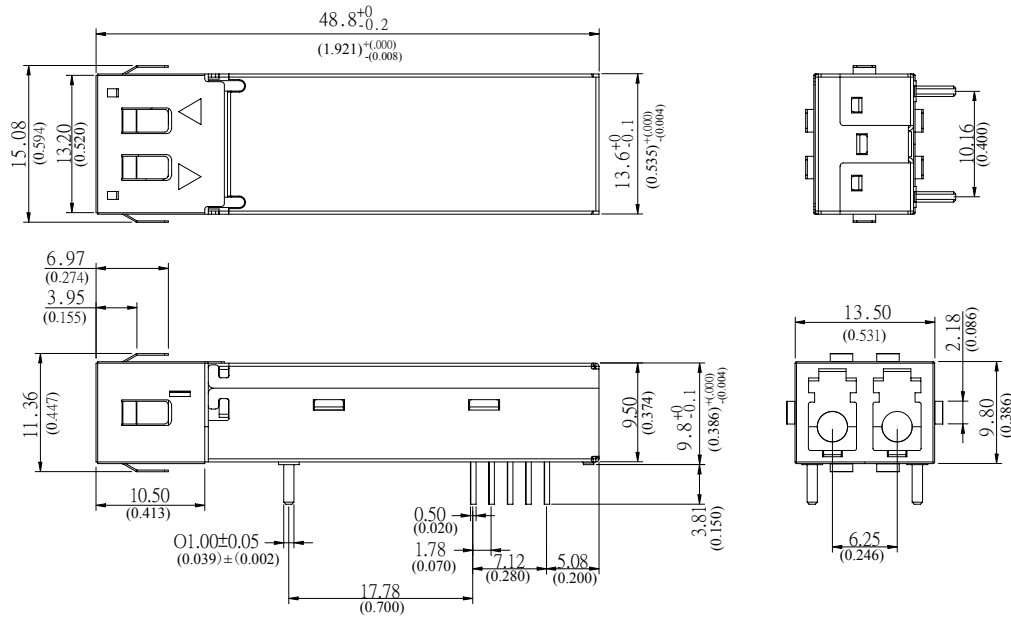
Laser Safety

This single mode transceiver is a Class1 laser product. It complies with IEC 825 and FDA 21 CFR 1040.10 and 1040.11. The transceiver must be operated within the specified temperature and voltage limits. The optical ports of the module shall terminate with an optical connector or with a dust plug.

C-1X-2500(C)-FDFB-SLC4

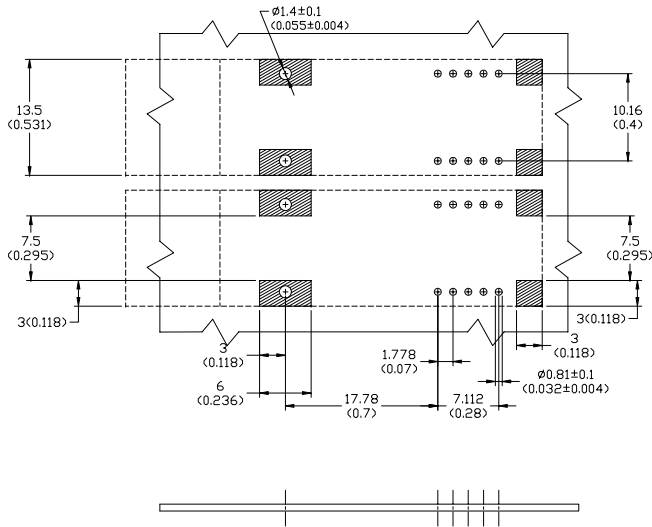
Package Diagram

Units: mm (inches)



C-1X-2500(C)-FDFB-SLC4

Recommended Board Layout Hole Pattern

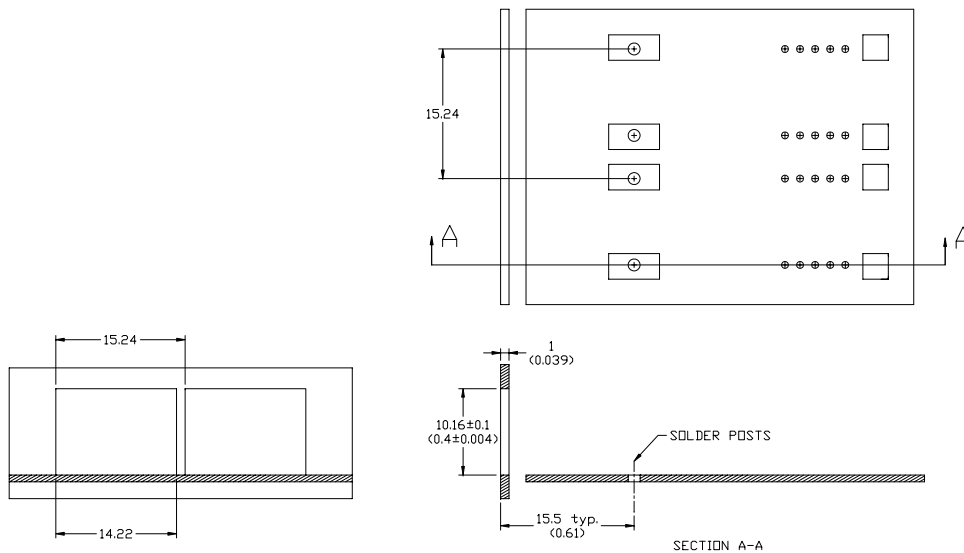


DIMENSION IN MILLIMETER (INCHES)

NOTES:

1. THIS FIGURE DESCRIBE THE RECOMMAND CIRCUIT BOARD LAYOUT FOR THE SFF TRANSCEIVER.
2. THE HATCHED AREAS ARE KEEP-OUT AREAS RESERVED FOR HOUSING STANDOFF. NO METAL TRACES OR GROUND CONNECTION IN KEEP-OUT AREAS.
3. THE MOUNTING STUDS SHOULD BE SOLDERED TO CHASSIS GROUND FOR MECHANICAL INTEGRITY.

Recommended Panel mounting



DIMENSION IN MILLIMETER (INCHES)

C-1X-2500(C)-FDFB-SLC4

Ordering Information

Available Options:

- C-13-2500-FDFB-SLC4
- C-13-2500C-FDFB-SLC4
- C-15-2500-FDFB-SLC4
- C-15-2500C-FDFB-SLC4

Part numbering Definition:

C - 1X - 2500(C) - FDFB - S LC 4

- 13 = Wavelength 1310 nm
15 = Wavelength 1550 nm
- Communication protocol
2500 = LVPEVL SD Output
2500C = LVTTTL SD Output
- +3.3V SFF Transceiver, DFB
- Single mode fiber
- Connector options
- 4 = Tx Power 0 to +5 dBm

Warnings:

Handling Precautions: This device is susceptible to damage as a result of electrostatic discharge (ESD). A static free environment is highly recommended. Follow guidelines according to proper ESD procedures.

Laser Safety: Radiation emitted by laser devices can be dangerous to human eyes. Avoid eye exposure to direct or indirect radiation.

Legal Notes:

IMPORTANT NOTICE!

All information contained in this document is subject to change without notice, at LuminentOIC's sole and absolute discretion. LuminentOIC warrants performance of its products to current specifications only in accordance with the company's standard one-year warranty; however, specifications designated as "preliminary" are given to describe components only, and LuminentOIC expressly disclaims any and all warranties for said products, including express, implied, and statutory warranties, warranties of merchantability, fitness for a particular purpose, and non-infringement of proprietary rights. Please refer to the company's Terms and Conditions of Sale for further warranty information.

LuminentOIC assumes no liability for applications assistance, customer product design, software performance, or infringement of patents, services, or intellectual property described herein. No license, either express or implied, is granted under any patent right, copyright, or intellectual property right, and LuminentOIC makes no representations or warranties that the product(s) described herein are free from patent, copyright, or intellectual property rights. Products described in this document are NOT intended for use in implantation or other life support applications where malfunction may result in injury or death to persons. LuminentOIC customers using or selling products for use in such applications do so at their own risk and agree to fully defend and indemnify LuminentOIC for any damages resulting from such use or sale.

THE INFORMATION CONTAINED IN THIS DOCUMENT IS PROVIDED ON AN "AS IS" BASIS. Customer agrees that LuminentOIC is not liable for any actual, consequential, exemplary, or other damages arising directly or indirectly from any use of the information contained in this document. Customer must contact LuminentOIC to obtain the latest version of this publication to verify, before placing any order, that the information contained herein is current.

© LuminentOIC, Inc. 2003
All rights reserved